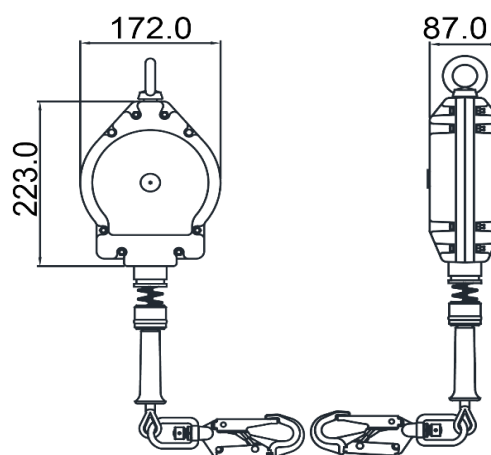


# Olympic



|   |
|---|
| HS CODE   |
| 84798997  |
| CARTON SIZE / PCS.  |
| 60 x 40 x 24 cm / 4   |
| AET N°2777/10830-03/E01-01  |
| <b>Satra Technology Europe Ltd., N° 2777,</b><br>Bracetown Business Park, Clonee,<br>Dublin, D15YN2P, Ireland               |
| MODULE D FI14/14003.01  |
| <b>SGS Fimko Oy, N°0598</b><br>Takomotie 8,<br>00380 HELSINKI, Finland  |
| AET (UKCA) N°AB0321/16094-01/E01-01   |
| <b>Satra Technology Centre, N°0321</b><br>Wyndham Way, Telford Way, Kettering<br>Northamptonshire, NN16 8SD, United Kingdom |
| MODULE D 11 IN14/14003  |
| <b>SGS United Kingdom Ltd., N°0120</b><br>Unit 202B, Worle Parkway,<br>Weston-super-Mare, BS22 6WA, United Kingdom          |
| ACKNOWLEDGEMENT OF RECEIPT N°3975/1/2018 (ATEX)   |
| <b>Technická Inšpekcia, a.s. N°1354</b><br>Trnavská cesta 56, 821 01 Bratislava, Slovenská Republika                        |

|                   |   |
|-------------------|---|
| REF.              | FA 20 600 06   FA 20 600 10                         |
| <br>LG.<br><br>KG | 6.0 m   10.0 m                                      |
|                   | EN 360:2002   |
| <br>MAT.          | <br><br>STEEL Ø 4.5 mm                              |
|                   | <br>FA 50 101 17 / FA 50 203 20 with fall indicator |
| <br>360°          | x2  |
| R(kN)             | 12 kN   |
|                   | NO  |
| +                 | ATEX Zone 1<br>( II 2 G Exh IIC T6 Gb).             |
|                   | 4.66 KG   4.88 KG                                   |

|   |   |  |
|---|---|--|
| <br>LG.<br><br>KG   | <br>MAT.  |  |
| <b>Longueur</b> Poids maxi utilisateur<br><b>Length</b> Max. user weight<br><b>Longitud</b> Peso máximo del usuario<br><b>Lunghezza</b> Peso Max. dell'utente<br><b>Länge</b> Höchstgewicht des Benutzers | <b>Matière carter / câble</b><br>Material of casing / wire rope<br><b>Material cárter / cable</b><br>Material dei carter / Cavo<br><b>Material Gehäuse / Seil</b> | <b>Matière connecteur haut / connecteur bas</b><br>Material of top connector / bottom connector<br><b>Material conector alto / conector bajo</b><br>Materiale connettore alto / connettore basso<br><b>Material oberes / unteres Verbindungselement</b>                        |
| <br>360°  |   |  |
| <b>Nombre d'émerillons</b><br>Number of swivels<br><b>Cantidad de eslabones giratorios</b><br>Numero di tornichetti<br><b>Anzahl der Wirbel</b>   |   | <b>Homologué pour le travail à proximité d'arêtes vives</b><br>Approved for work near sharp edges<br><b>Homologado para trabajo cerca de aristas vivas</b><br>Omologato per lavoro in prossimità di spigoli vivi<br><b>Zugelassen für Arbeiten in der Nähe scharfer Kanten</b> |